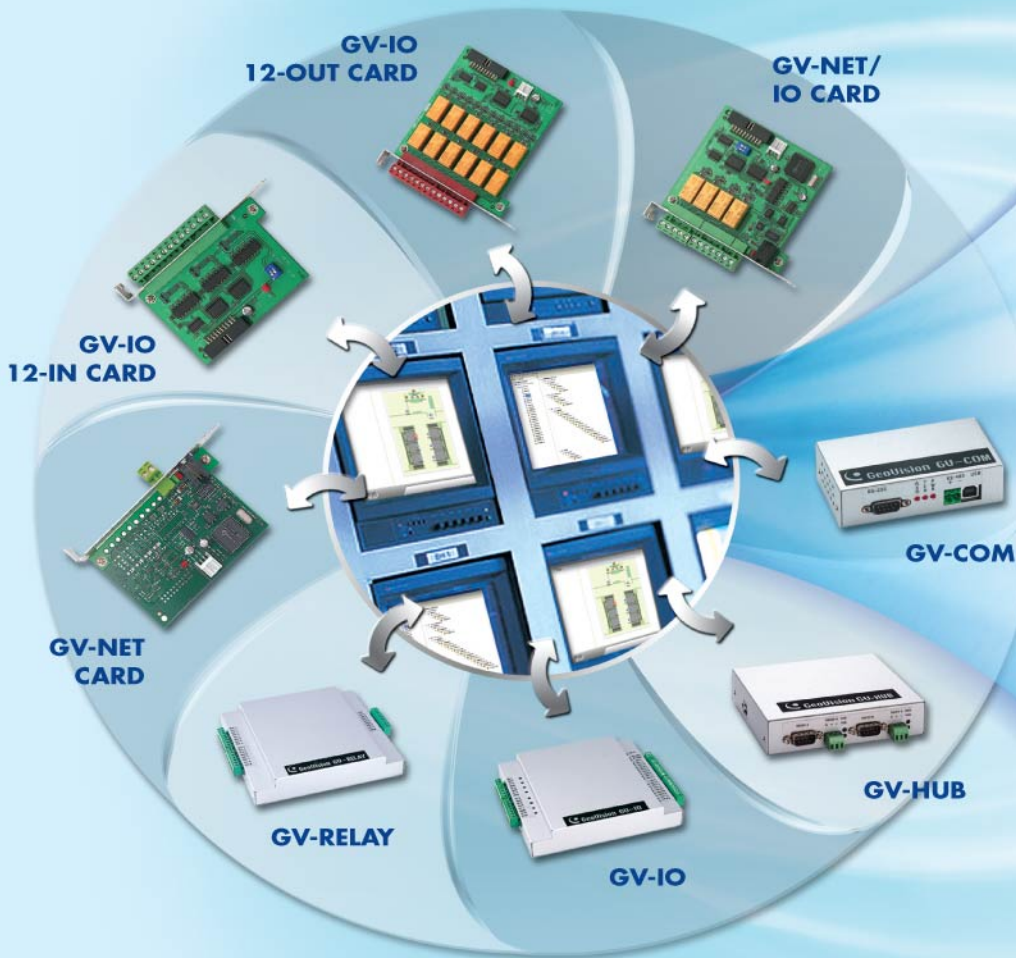


Smart Input/Output Device Integration

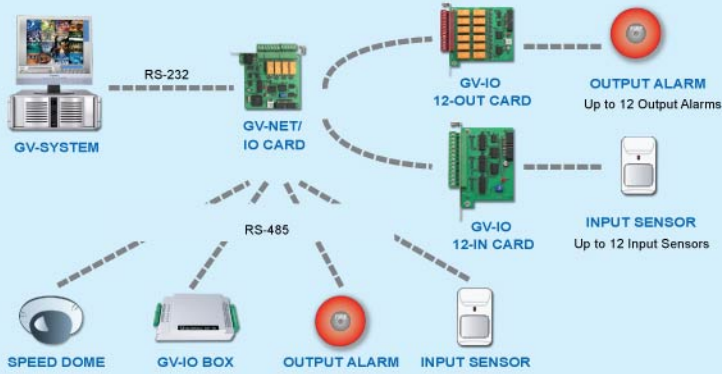


Main Features

- Activate alarm and send E-mail/Hotline/SMS upon I/O trigger
- Activate alarm upon Motion/Intruder/Scene Change detection
- Control Speed Dome and PTZ Camera via RS-485
- Trigger Speed Dome to the Preset point upon sensor input
- Compatible with GV-Series Surveillance System
- Schedule I/O devices to turn on/off at the specific time
- Group I/O devices from different DVRs to create a cascade chain, e.g. integrating one single Smog Sensor (Input) to all Fire Alarms (Outputs) in each floor in case of fire
- Configure, monitor and trigger I/O devices remotely
- Create Home/Building/Manufacture Automation

GeoVision offers a comprehensive line of I/O device controllers for residential and commercial usage. It was attentively designed, even for a non-security personnel to install these controllers easily for a new DVR system or retrofit the existing one. Each product type can combine different kinds of input sensors, like smoke, motion, glass break, and trigger the associated output relays like alarm communications, or controlling PTZ camera and SpeedDome, providing a life safety system helping individuals to avoid emergency situations.

Connection A



GV-IO 12-IN & 12-OUT Add-On Controller Card must work in conjunction with GV-NET/IO CARD (20-Pin Ribbon Cable)

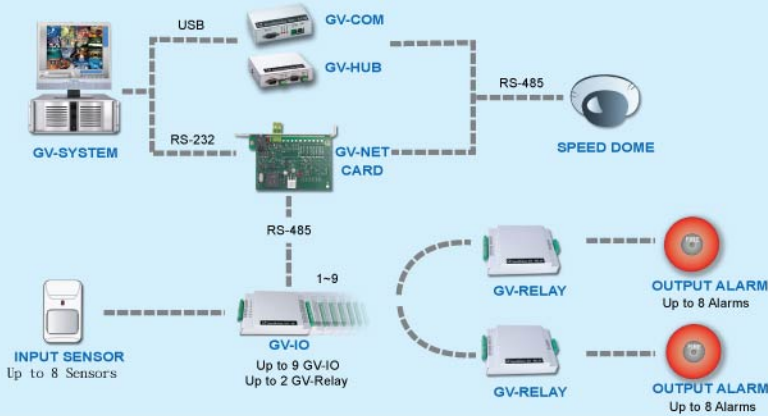
GV-NET/IO CARD similar to GV-NET card, but extending with additional 4 digital inputs, and 4 relays outputs

GV-IO 12-IN CARD supports additional 12 digital inputs

GV-IO 12-OUT CARD supports additional 12 digital relays output

		GV-NET/IO CARD	GV-IO 12-IN CARD	GV-IO 12-OUT CARD
RS-232 to PC		Yes	N/A	N/A
RS-485 (+/-)		Yes	N/A	N/A
Input	Input	4	12	N/A
	Input Signal	5V DC (floating) / TTL	5V DC (floating) / TTL	N/A
Output	Relay Output	4	N/A	12
	Relay Status	Normal Open	N/A	Normal Open
	Relay Capacitance	2A /30V DC 0.25A / 250V AC	N/A	2A /30V DC 0.25A / 250V AC

Connection B



GV-IO & GV-RELAY Controller Box must work in conjunction with GV-COM/GV-HUB or GV-NET CARD

GV-NET CARD is an RS-232 to RS-485 signal converter

GV-COM/GV-HUB is a RS-232 to RS-485 signal converter

GV-IO provides 8 digital inputs and 16 digital outputs

connects up to 9 GV-IO, every GV-IO connects up to 2 GV-Relay

GV-RELAY provides 8 digital relays outputs

► Maxium supports up to 72 inputs / 144 outputs

		GV-NET CARD	GV-COM/HUB	GV-IO	GV-RELAY
RS-232 to PC		Yes	Yes	N/A	N/A
RS-485 (+/-)		Yes	Yes	Yes	N/A
Input	Input	N/A	N/A	8	N/A
	Input Signal	N/A	N/A	Dry Contact	N/A
	Relay Control Source	N/A	N/A	N/A	8 Connection Points from GV-IO
Output	Output	N/A	N/A	16 Connection Points (For 2 x GV-Relay)	8
	Output Circuit	N/A	N/A	TTL	N/A
	Relay Status	N/A	N/A	N/A	Normal Open
	Relay Capacitance	N/A	N/A	N/A	6A / 250V AC; 10A / 125V AC; 5A / 28VDC

All specifications may change without prior notification.